

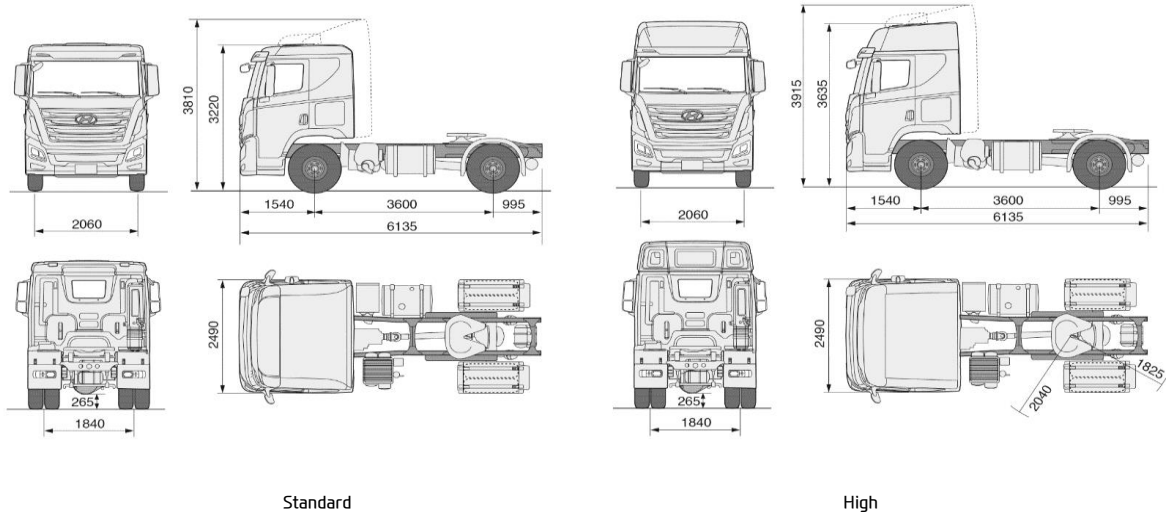
## HYUNDAI XGENT

### Annotations

- 1) Chassis cab weight and curb weight shown are to 3.5% variation to allow for production tolerance.
- 2) Chassis cab weight and curb weight include weight of oil, fuel, coolant and spare tire carrier & bracket, spare tire but exclude standard tool set.
- 3) The vehicle specifications may differ per country.
- 4) For further information please contact the commercial vehicle export teams of HMC.
- 5) In order that product improvement may be introduced at any time, specifications are subject to change without prior notice.

# 42 Tractor High Chassis, Medium Wheelbase

HYUNDAI XGENT



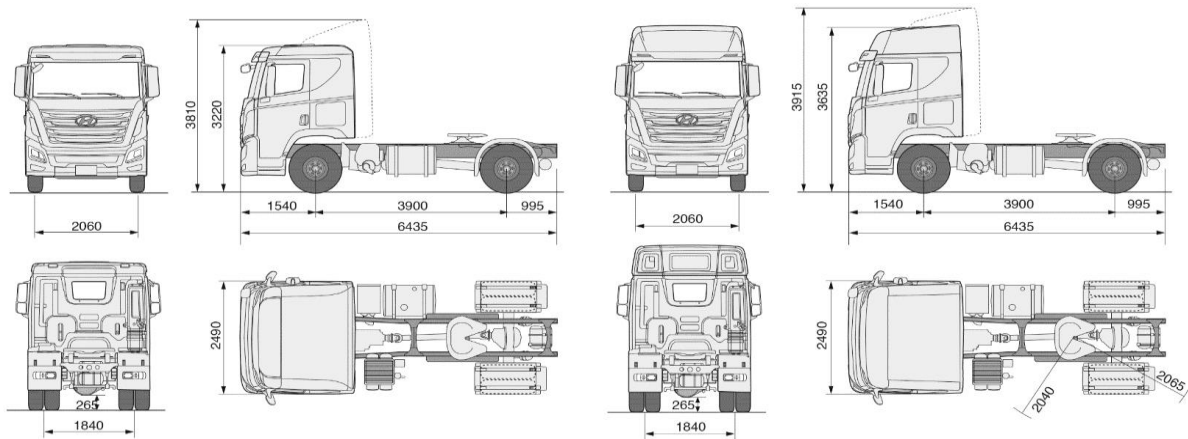
Model		Q340.42 / H380.42 / H420.42 / P410.42				
Vehicle Type		Tractor, LHD / RHD, 4 x 2				
Cab Type		Sleeper Cab				
Chassis Height		High				
Wheel Base		Medium				
Application Engines		D6HB38	D6HB3H	D6HA3H	D6HA42	D6CC41
<b>Dimensions (mm)</b>						
Wheel Base				3,600		
Overall	Length			6,135		
	Width			2,490		
	Height	STD		3,220 (3,810)		
		High		3,635 (3,915)		
Ground to frame (topside)				1,090		
Wheel Tread	Front / Rear			2,060 / 1,840		
Overhang	Front / Rear			1,540 / 995		
Fitting Radius Front (F.R.F)				2,040		
Fitting Radius REAR (F.R.R)				1,825		
Fifth Wheel Loading Capacity (kg)			11,410			11,260
Coupler	Type			1 Axis		
	Capacity			20,000		
	King Pin Diameter			2 inch		
	Height			215		
	Ground Height			1,300		
Min. Ground Clearance				265		
Min. Turning Radius	m			6.5		
<b>Weight (kg)</b>						
Tractor Weight *		6,940	6,890		6,935	7,040
	Front	4,780	4,750		4,785	4,905
	Rear	2,160	2,140		2,150	2,135
** Max Gross Vehicle Weight				18,300		
	Front			6,500		
	Rear			11,800		
Max. Gross Combination Weight				50,000		

\* For high roof, front +50kg / rear +10kg

\*\* Max. GVW includes the front & rear axle loads based on the tubless radial tires permissible load.

# 42 Tractor High Chassis, Long Wheelbase

HYUNDAI XGENT



Standard

High

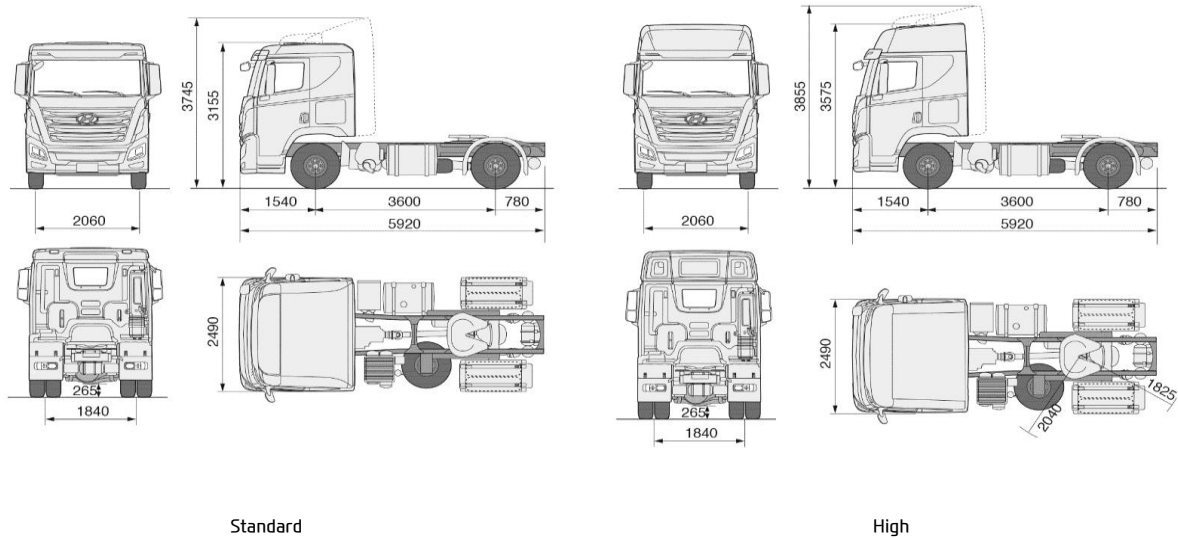
Model		Q340.42 / H380.42 / H420.42 / P410.42							
Vehicle Type		Tractor, LHD / RHD, 4 x 2							
Cab Type		Sleeper Cab							
Chassis Height		High							
Wheel Base		Long							
Application Engines		D6AC	D6HB38	D6HB3H	D6HA3H	D6HA42	D6CA41	D6CB41	D6CC41
<b>Dimensions (mm)</b>									
Wheel Base		3,900							
Overall	Length	6,435							
	Width	2,490							
	Height	STD 3,220 (3,810) High 3,635 (3,915)							
Ground to frame (topside)		1,090							
Wheel Tread		Front / Rear 2,060 / 1,840							
Overhang		Front / Rear 1,540 / 995							
Fitting Radius Front (F.R.F)		2,040							
Fitting Radius REAR (F.R.R)		2,065							
Fifth Wheel Loading Capacity (kg)		11,490		11,390				11,240	
Coupler	Type	1 Axis							
	Capacity	20,000							
	King Pin Diameter	2 inch							
	Height	215							
Min. Ground Clearance		1,300							
Min. Turning Radius		265							
Min. Turning Radius		m 7.0							
<b>Weight (kg)</b>									
Tractor Weight *		6,810	6,960	6,910	6,955			7,060	
	Front	4,765	4,895	4,865	4,900			5,020	
	Rear	2,045	2,065	2,045	2,055			2,040	
** Max Gross Vehicle Weight		18,300							
	Front	6,500							
	Rear	11,800							
Max. Gross Combination Weight		50,000							

\* For high roof, front +50kg / rear +10kg

\*\* Max. GVW includes the front & rear axle loads based on the tubless radial tires permissible load.

# 42 Tractor Low Chassis, Medium Wheelbase

HYUNDAI XGENT



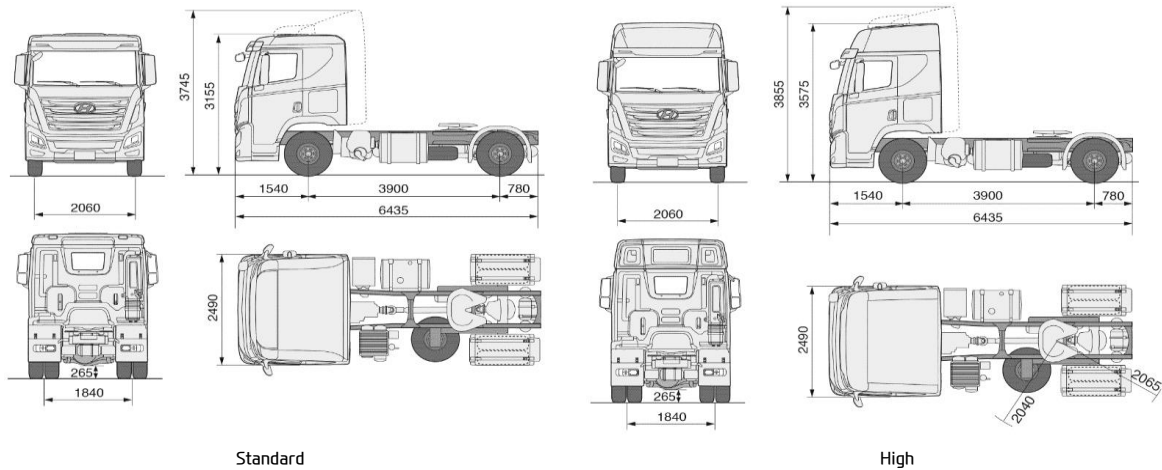
		<b>H380.42 / P410.42</b>	
Model		<b>H380.42 / P410.42</b>	
Vehicle Type		Tractor, LHD/RHD, 4 x 2	
Cab Type		Sleeper Cab	
Chassis Height		Low	
Wheel Base		Medium	
Application Engines		<b>D6HA3H</b>	<b>D6CC41</b>
<b>Dimensions (mm)</b>			
Wheel Base		3,600	
Length		5,920	
Width		2,490	
Overall	Height STD	3,155 (3,745)	
	Height High	3,575 (3,855)	
Ground to frame (topside)		980	
Wheel Tread		2,040 / 1,825	
Overhang		1,540 / 780 (In case of dual fuel tank : 1,050)	
Fitting Radius Front (F.R.F)		2,040	
Fitting Radius REAR (F.R.R)		2,065	
Fifth Wheel Loading Capacity (kg)		13,720	13,660
Coupler	Type	1 Axis	
	Capacity	20,000	
	King Pin Diameter	2 inch	
	Height	165	
Ground Height		1,140	
Min. Ground Clearance		265	
Min. Turning Radius		m 6.5	
<b>Weight (kg)</b>			
Tractor Weight *		7,130	7,280
	Front	5,010	5,165
	Rear	2,120	2,115
** Max Gross Vehicle Weight		21,000	
	Front	8,000	
	Rear	13,000	
Max. Gross Combination Weight		50,000	

\* For high roof, front +50kg / rear +10kg

\*\* Max. GVW includes the front & rear axle loads based on the tubless radial tires permissible load.

# 42 Tractor Low Chassis, Long Wheelbase

HYUNDAI XGENT



Model	<b>H380.42 / P410.42</b>		
Vehicle Type	Tractor, LHD/RHD, 4 x 2		
Cab Type	Sleeper Cab		
Chassis Height	Low		
Wheel Base	Long		
Application Engines	<b>D6HA3H</b>		<b>D6CC41</b>

<b>Dimensions (mm)</b>			
Wheel Base			3,900
Overall	Length		6,435
	Width		2,490
	Height	STD	3,155 (3,745)
		High	3,575 (3,855)
Ground to frame (topside)			980
Wheel Tread	Front / Rear		2,040 / 1,825
Overhang	Front / Rear		1,540 / 780 (In case of dual fuel tank : 1,050)
Fitting Radius Front (F.R.F)			2,040
Fitting Radius REAR (F.R.R)			2,065
Fifth Wheel Loading Capacity (kg)		13,695	13,635
Coupler	Type		1 Axis
	Capacity		20,000
	King Pin Diameter		2 inch
	Height		165
Min. Ground Clearance	Ground Height		1,140
			265
Min. Turning Radius	m		7.0

<b>Weight (kg)</b>			
Tractor Weight *		7,130	7,280
	Front	5,010	5,165
	Rear	2,120	2,115
** Max Gross Vehicle Weight		21,000	
	Front	8,000	
	Rear	13,000	
Max. Gross Combination Weight		50,000	

\* For high roof, front +50kg / rear +10kg

\*\* Max. GVW includes the front & rear axle loads based on the tubless radial tires permissible load.

**Chassis Specifications**  
**Engine**

Model	D6AC	D6HB38	D6HB3H	D6HA3H	D6HA42	D6CA41	D6CB41	D6CC41
Type	Turbo Charger Intercooler 4 stroke-cycle, water-cooled, direct-injection diesel engine 6 in-line							
Number of Cylinder	6 in-line							
Piston Displacement (cc)	11,149		9,960			12,920		12,344
Bore x Stroke (mm)	130 x 140		122 x 142			133 x 155		130 x 155
Compression Ratio	16.5 : 1				17 : 1			
Max. Power** (ps/rpm)	Eurol	340 / 2,200	-	-	-	-	-	-
	Euroll	-	-	-	-	410 / 1,900	-	-
	Euro III	-	380 / 2,000	380 / 2,000	-	-	410 / 1,900	-
	Euro IV	-	-	-	380 / 1,900	-	-	410 / 1,900
	Euro V	-	-	-	-	420 / 1,800	-	-
Max. Torque ** (kg.m/rpm)	Eurol	140 / 1,400	-	-	-	-	-	-
	Euroll	-	-	-	-	188 / 1,500	-	-
	Euro III	-	160 / 1,200	173 / 1,200	-	-	188 / 1,200	-
	Euro IV	-	-	-	173 / 1,200	-	-	188 / 1,200
Cooling System	General	Pressure type with thermostat, Forced circulation by centrifugal water pump						
	Radiator	Corrugated fin type with pressure cap and condenser tank						
	Battery	12V x 2, 150 AH at 20 Hr rates						
Electrical System	Alternator	24V-60A		24V-70A			24V-90A	
	Starter	24V-5.5kW				24V-6.0kW		
	Injection pump	In-line type				EUI system		
Fuel System	Governor	All Speed type				Electronic Control		
	Fuel filter					Spin-on type		
	Lubrication					Forced lubrication by gear pump		
Oil System	Oil filter					Full flow and bypass type with paper element		
	Oil cooler					Water cooled, plate fin type		
	Oil grade					API service classification CF-4 or above		
Valve System							Single Overhead Valve, Two valves per cylinder	

\*\* Max. Power and Torque of engine may vary according to each country.

**Clutch**

Type	Hydraulic control with Air pressure assistance, Diaphragm spring, Single dry plate, Pre-Damper
Facing material	Non-Asbestos
Facing Size (mm) ; Outside dia. x Inside dia.	ø430 x ø242

HYUNDAI XCIENT\_42 Tractor

**Transmission**

		D6AC	D6HB38	D6HB3H	D6HA3H	D6HA42	D6CA41	D6CB41	D6CC41	
Application Engines	M12S 2X5	.								
T/M Application	H160S 2X5		.							
• : STD	ZF16S1830			.	.		.	.	.	
o : OPT	ZF16S2330					.				
	ZF12AS2540					o				
Model		<b>M12S 2x5</b>	<b>H160S 2x5</b>		<b>ZF16S1830</b>		<b>ZF16S2330</b>	<b>ZF12AS2540(AMT)</b>		
Type		10 forward and 2 reverse speed			16 forward and 2 reverse speed		12 forward and 2 reverse speed			
	1st (High / Low)	9.153 / 7.145		13.80 / 11.54		16.41 / 13.80		15.86 / 12.29		
	2nd (High / Low)	4.783 / 3.733		9.49 / 7.93		11.28 / 9.49		9.57 / 7.41		
	3rd (High / Low)	2.765 / 2.158		6.53 / 5.46		7.76 / 6.53		5.89 / 4.57		
	4th (High / Low)	1.666 / 1.301		4.57 / 3.82		5.43 / 4.57		3.47 / 2.69		
Gear Ratio	5th (High / Low)	1.000 / 0.780		3.02 / 2.53		3.59 / 3.02		2.10 / 1.62		
	6th (High / Low)	-		2.08 / 1.74		2.47 / 2.08		1.29 / 1.00		
	7th (High / Low)	-		1.43 / 1.20		1.70 / 1.43		-		
	8th (High / Low)	-		1.00 / 0.84		1.19 / 1.00		-		
	Reverse (High / Low)	8.105 / 6.327		12.92 / 10.80		15.36 / 12.92		14.68 / 11.38		
Gear Oil		API service classification GL-4 or SAE service classification 80W (90 ; Tropical zones only)								
TG.S. (Transmission Gear Shift)		Floor shift, Mechanical remote control								

**Rear Axle**

		D6AC	D6HB38	D6HB3H	D6HA3H	D6HA42	D6CA41	D6CB41	D6CC41	D6HA3H	D6CC41
Application Engines											
Chassis height		<b>High</b>					<b>Low</b>				
Type		Full floating type									
Capacity	Kg	11,800					13,000				
Final Reduction Gear	Type	Single Reduction, Hypoid gear									
	G/Ratio	3.909 / 4.333 / 4.875					3.909 / 4.333				

**Front Axle**

Type		Reverse Elliot type " 1 " beam	
Capacity	Kg	6,500	

**Tire & Wheel**

Type		Single Front, Dual Rear	
Tire	Front / Rear	12R22.5-16PR	
Wheel	Front / Rear	22.5 x 8.25	
		315/70R22.5-16PR	
		22.5 x 9.00	

**Steering**

Type		2-Spoke, Ball-nut type, Tilt & Telescopic steering column	
Tilting Angle		9 °	
Turning Angle	Inner / Outer	49 ° / 35 °	

HYUNDAI XCIENT\_42 Tractor

**Service Brake**

Application Engines	D6AC	D6HB38	D6HB3H	D6HA3H	D6HA42	D6CA41	D6CB41	D6CC41	D6HA3H	D6CC41	
Chassis height	High								Low		
Actuation	Full Air, Dual circuit fixed S cam with spring loaded chambers								Full Air, disc		
Size (mm)	Front	Drum dia. x Lining width x Lining thickness : $\phi 410 \times 56 \times 19$								$\phi 430 \times 45t$	
	Rear	Drum dia. x Lining width x Lining thickness : $\phi 410 \times 220 \times 19$								$\phi 430 \times 45t$	
Total lining area	6,078cm <sup>2</sup>								2,352cm <sup>2</sup>		

**Parking Brake**

Actuation	DRUM : Spring loaded type chamber on the front wheel and the rear wheel(DISC:the rear wheel)									
Size (mm)	DRUM : $\phi 410 \times 156 \times 19$ (front) / $\phi 410 \times 220 \times 19$ (rear) DISC : $\phi 430 \times 45t$									
Total lining area	6,078cm <sup>2</sup>								1,568cm <sup>2</sup>	

**Exhaust Brake**

Type	Air operated, butterfly valve type									
------	------------------------------------	--	--	--	--	--	--	--	--	--

**Suspension**

Type	Front / Rear	Multi Leaf (Parabolic Taper OPT)							Taper / Air	
------	--------------	----------------------------------	--	--	--	--	--	--	-------------	--

**Exhaust system**

General	Conventional type muffler									
Tail pipe	Droptail type, blowing to chassis rearward									

**Fuel tank**

Capacity	400 liter									
Material	Steel									

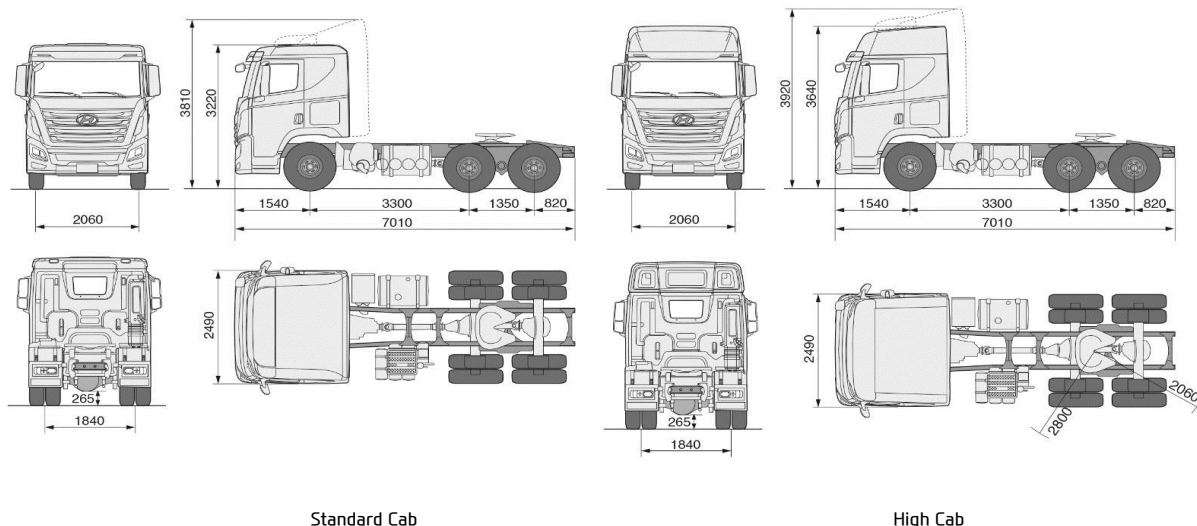
**Frame**

Type	"H" type frame with channel sectional side rail & cross members									
Main side rail (mm)	300 x 90 x 8t							280 x 90 x 8t		



# 64 Tractor Short Wheelbase

HYUNDAI XGENT



Standard Cab

High Cab

Model		Q340.64 / H380.64 / P410.64 / P500.64 / P520.64						
Vehicle Type		Tractor, LHD/RHD, 6 x 4						
Cab Type		Sleeper Cab						
Wheel Base		Short						
Application Engines		D6AC	D6HB38	D6CA41	D6CB41	D6CC41	D6CE50	D6CE52
<b>Dimensions (mm)</b>								
Wheel Base		4,650 (3,300+1,350)						
Overall	Length	7,010						
	Width	2,490						
	Height	STD	3,220 (3,810)					
		High	3,640 (3,920)					
Ground to frame (topside)		1,100						
Wheel Tread	Front / Rear	2,060 / 1,840						
Overhang	Front / Rear	1,540 / 820						
Fitting Radius Front (F.R.F)		2,800						
Fitting Radius REAR (F.R.R)		2,060						
Fifth Wheel Loading Capacity (kg)		23,385	23,295	23,235		23,295		23,235
Coupler	Type	1 Axis						
	Capacity	20,000						
	King Pin Diameter	2 inch						
	Height	215						
	Ground Height	1,315						
Min. Ground Clearance		265						
Min. Turning Radius	m	7.1						
<b>Weight (kg)</b>								
Cargo Weight *		8,315	8,405		8,495		8,540	8,500
	Front	4,665	4,750		4,855		4,890	4,850
	Rear	3,650	3,655		3,640		3,650	3,650
** Max Gross Vehicle Weight		31,700						
	Front	6,500						
	Rear	25,200						
Max. Gross Combination Weight		70,000						

\* For high roof, front +50kg / rear +10kg

\*\* Max. GVW includes the front & rear axle loads based on the tubless radial tires permissible load.

**Chassis Specifications**

**Engine**

Engine	D6AC	D6HB38	D6CA41	D6CB41	D6CC41	D6CE50	D6CE52	
Type	Turbo Charger Intercooler 4 stroke-cycle, water-cooled, direct-injection diesel engine							
Number of Cylinder	6 in-line							
Piston Displacement (cc)	11,149	9,960	12,920			12,344		
Bore x Stroke (mm)	130 x 140	122 x 142	133 x 155			130 x 155		
Compression Ratio	16.5 : 1							
Max. Power** (ps/rpm)	Euro I	340 / 2,200	-	-	-	-	-	
	Euro II	-	-	410 / 1,900	-	-	-	
	Euro III	-	380 / 2,000	-	410 / 1,900	-	-	
	Euro IV	-	-	-	-	410 / 1,900	-	
	Euro V	-	-	-	-	-	500 / 1,700	520 / 1,700
Max. Torque ** (kg.m/rpm)	Euro I	140 / 1,400	-	-	-	-	-	
	Euro II	-	-	188 / 1,500	-	-	-	
	Euro III	-	160 / 1,200	-	188 / 1,200	-	-	
	Euro IV	-	-	-	-	188 / 1,200	-	
	Euro V	-	-	-	-	-	225 / 1,200	255 / 1,200
Cooling System	General	Pressure type with thermostat, Forced circulation by centrifugal water pump						
	Radiator	Corrugated fin type with pressure cap and condenser tank						
	Battery	12V x 2, 150 AH at 20 Hr rates						
Electrical System	Alternator	24V-60A	24V-70A			24V-90A		
	Starter	24V-5.5kW			24V-6.0kW			
	Injection pump	In-line type			EUI system			
Fuel System	Governor	All Speed type			Electronic Control			
	Fuel filter	Spin-on type						
	Lubrication	Forced lubrication by gear pump						
Oil System	Oil filter	Full flow and bypass type with paper element						
	Oil cooler	Water cooled, plate fin type						
	Oil grade	API service classification CF-4 or above						
Valve System	Single Overhead Valve, Two valves per cylinder							

\*\* Max. Power and Torque of engine may vary according to each country.

**Clutch**

Type	Hydraulic control with Air pressure assistance, Diaphragm spring, Single dry plate, Pre-Damper
Facing Material	Non-Asbestos
Facing Size (mm) Outside dia x Inside dia	ø430 x ø242

**HYUNDAI XCIENT\_64 Tractor**

**Transmission**

Application Engines		D6AC	D6HB38	D6CA41	D6CB41	D6CC41	D6CE50	D6CE52
	M12S 2X5	•						
T/M Application	H160S 2X5		•					
• : STD	ZF16S1830			•	•	•		
o : OPT	ZF16S2330						•	
	ZF12AS2540							•
<b>Model</b>		<b>M12S 2x5 / H160S 2x5</b>		<b>ZF16S1830</b>	<b>ZF16S2330</b>	<b>ZF12AS2540 (AMT)</b>		
<b>Type</b>		10 forward and 2 reverse speed		16 forward and 2 reverse speed		12 forward and 2 reverse speed		
	1st (High / Low)	9.153 / 7.145		13.80 / 11.54		16.41 / 13.80		15.86 / 12.29
	2nd (High / Low)	4,783 / 3,733		9.49 / 7.93		11.28 / 9.49		9.57 / 7.41
	3rd (High / Low)	2,765 / 2,158		6.53 / 5.46		7.76 / 6.53		5.89 / 4.57
	4th (High / Low)	1,666 / 1,301		4.57 / 3.82		5.43 / 4.57		3.47 / 2.69
<b>Gear Ratio</b>	5th (High / Low)	1,000 / 0.780		3.02 / 2.53		3.59 / 3.02		2.10 / 1.62
	6th (High / Low)	-		2.08 / 1.74		2.47 / 2.08		1.29 / 1.00
	7th (High / Low)	-		1.43 / 1.20		1.70 / 1.43		-
	8th (High / Low)	-		1.00 / 0.84		1.19 / 1.00		-
	Reverse (High / Low)	8,105 / 6,327		12.92 / 10.80		15.36 / 12.92		14.68 / 11.38
<b>Gear Oil</b>		API service classification GL-4 or SAE service classification 80W (90 ; Tropical zones only)						
<b>T.G.S. (Transmission Gear Shift)</b>		Floor shift, Mechanical remote control						

**Rear Axle**

Engine		D6AC	D6HB38	D6CA41	D6CB41	D6CC41	D6CE50	D6CE52
<b>Type</b>		Full floating type						
<b>Capacity</b>	Kg	13,000 x 2						
<b>Final Reduction Gear</b>	Type	Single Reduction, Hypoid gear						
	G/Ratio	4.875 / 5.571		3.909		3.083		

**Front Axle**

<b>Type</b>		Reverse Elliot type " 1 " beam						
<b>Capacity</b>		6,500						

**Tire & Wheel**

<b>Type</b>		Single Front, Dual Rear						
<b>Tire</b>	Front / Rear	12R22.5-16PR						
<b>Wheel</b>	Front / Rear	22.5 x 8.25						

**Steering**

<b>Type</b>		2-Spoke, Ball-nut type, Tilt & Telescopic steering column						
<b>Tilting Angle</b>		9 °						
<b>Turning Angle</b>	Inner	49 °						
	Outer	35 °						

### Service Brake

Engine		D6AC D6HB38 D6CA41 D6CB41 D6CC41 D6CE50 D6CE52
Actuation		Full Air, Dual circuit fixed S cam with spring loaded chambers
Size (mm)	Front	Drum dia. x Lining width x Lining thickness : $\phi 410 \times 56 \times 19$
	Rear	Drum dia. x Lining width x Lining thickness : $\phi 410 \times 220 \times 19$
Total lining area		9,635cm <sup>2</sup>

### Parking Brake

Actuation		DRUM : Spring loaded type chamber on the front wheel and the rear 1st/2nd wheel
Size (mm)		$\phi 410 \times 156 \times 19$ (front) / $\phi 410 \times 220 \times 19$ (rear)
Total lining area		7,116cm <sup>2</sup>

### Exhaust Brake

Type		Air operated, butterfly valve type
------	--	------------------------------------

### Suspension

Type	Front	Multi Leaf / Parabolic Taper (OPT)
	Rear	
		4-Bag

### Exhaust system

General		Conventional type muffler
Tail pipe		Droptail type, blowing to chassis rearward

### Fuel tank

Capacity		400 liter
Material		Steel

### Frame

Type		"H" type frame with channel sectional side rail & cross members
Main side rail (mm)		300 x 90 x 8t