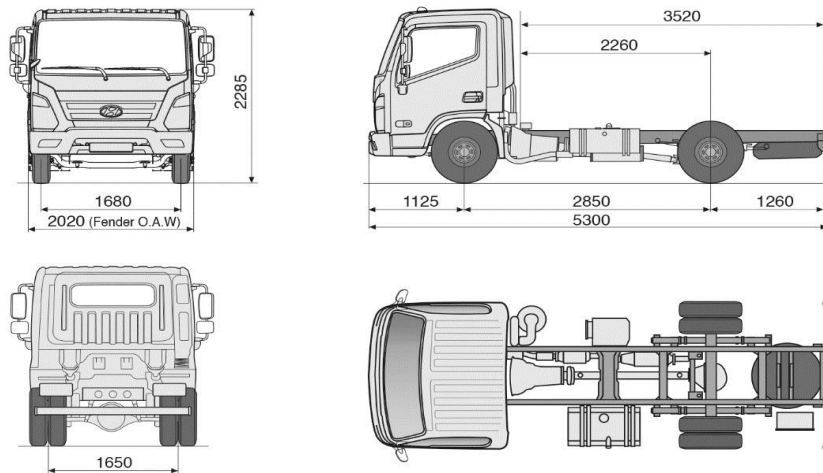


EX8 Cargo Short Wheelbase

HYUNDAI MIGHTY



| | | |
|---------------------|--|----------|
| Cab | Width | Wide |
| | Length | Standard |
| | Height | High |
| Wheel Base | | Short |
| Drive System | | 4 x 2 |
| Application Engines | D4DC / D4DB14 / D4DB13 / D4DD / D4GA14A / D4GA17 / D4GB17 | |

Dimensions (mm)

| | | |
|---------------------------|--------|---|
| Wheel Base | | 2,850 |
| | Length | 5,300 |
| Overall (Chassis Cab) | Width | 2,028 (Door handle) |
| | Height | 7.50R16 : 2,310, 207/75R17.5 : 2,285, 215/75R17.5 : 2,295 |
| Wheel Tread | Front | 215/75R Tire : 1,675, 205/75R Tire : 1,680 (D4DC/D4DB), 1,695 (D4DD/D4GA) |
| | Rear | 1,650 |
| Overhang | Front | 1,125 |
| (Chassis Cab) | Rear | 1,325 |
| C.A (Cab to rear Axle) | | 2,260 |
| C.E (Cab to End of frame) | | 3,520 |
| Min. Ground Clearance | | 210 |
| Min. Turning Radius | m | 5.3 |

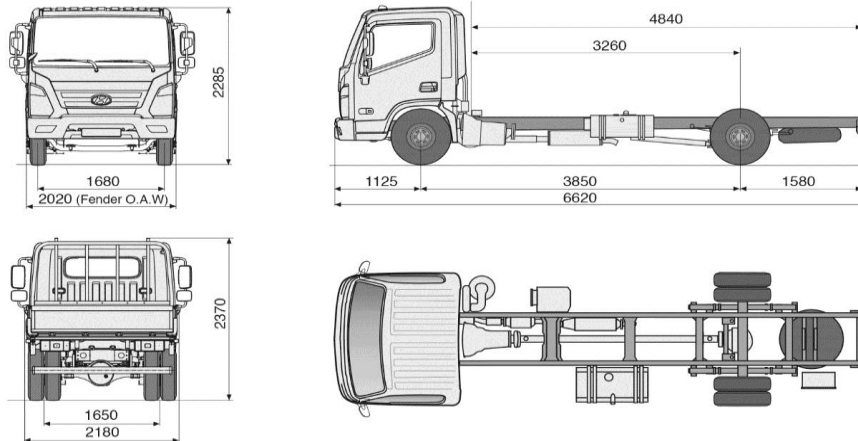
Weight (kg)

| | | |
|-----------------------------|-------|-----------------------|
| Chassis Cab Weight | | 2,545 / 2,685 / 2,815 |
| D4DX / D4GA / D4GB | Front | 1,655 / 1,780 / 1,850 |
| | Rear | 890 / 905 / 965 |
| ** Max Gross Vehicle Weight | | 7,800 |
| | Front | 3,100 |
| | Rear | 4,700 |

** Max. GVW includes the front & rear axle loads based on the permissible tire load.

EX8 Cargo Long Wheelbase

HYUNDAI MIGHTY



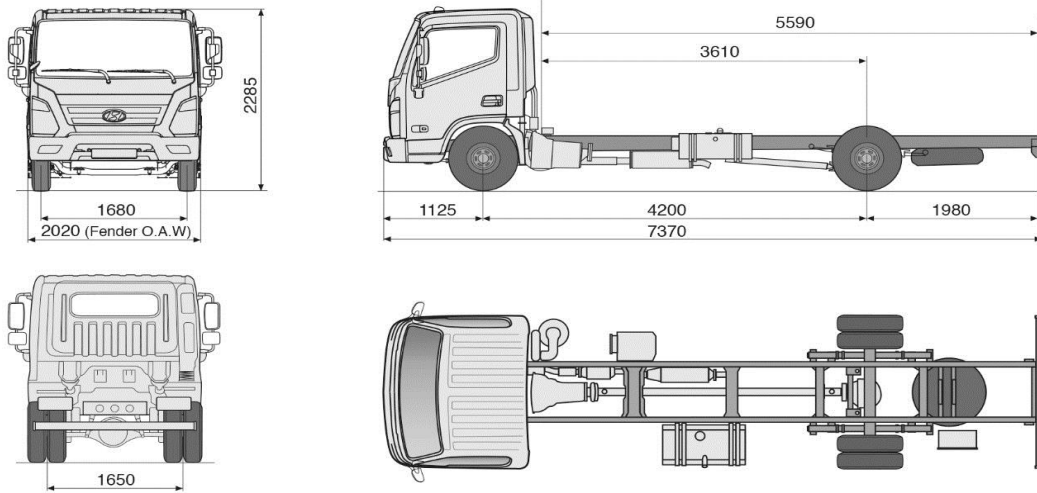
| | | |
|--------------------------------|---|---|
| Cab | Width | Wide |
| | Length | Standard |
| | Height | High |
| Wheel Base | | Long |
| Drive System | | 4 x 2 |
| Application Engines | D4DC / D4DB14 / D4DB13 / D4DD / D4GA15 / D4GA14A / D4GA17 / D4GB17 | |
| Dimensions (mm) | | |
| Wheel Base | | 3,850 |
| | Length | 6,620 / 6,720 |
| Overall (Chassis Cab / Cargo) | Width | 2,028 (Door handle) / 2,180 |
| | Height | 2,310(7.50R16), 2,285(205/75R17.5), 2,295(215/75R17.5) / 2,385(7.50R), 2,360(205Tire), 2,370(215Tire) |
| Wheel Tread | Front | 215/75R Tire: 1,675, 205/75R Tire: 1,680 (D4DC/D4DB), 1,695 (D4DD/D4GA) |
| | Rear | 1,650 |
| Overhang (Chassis Cab / Cargo) | Front | 1,125 / 1,125 |
| | Rear | 1,645 / 1,745 |
| Deck Size | Length | 4,850 |
| | Width | 2,060 |
| | Height | 380 |
| | Floor Height | 1,125 |
| C.A (Cab to rear Axle) | | 3,260 |
| C.E (Cab to End of frame) | | 4,840 |
| Min. Ground Clearance | | 220 |
| Min. Turning Radius | m | 7.5 |

| | | |
|-----------------------------|--------------|-----------------------|
| Weight (kg) | | |
| Chassis Cab Weight | | 2,650 / 2,790 / 2,920 |
| D4DX / D4GA / D4GB | Front | 1,710 / 1,835 / 1,915 |
| | Rear | 940 / 955 / 1,005 |
| Cargo weight | | 3,250 / 3,390 / 3,520 |
| D4DX / D4GA / D4GB | Front | 1,825 / 1,950 / 2,030 |
| | Rear | 1,425 / 1,440 / 1,490 |
| ** Max Gross Vehicle Weight | | 7,800 |
| | Front / Rear | 3,100 / 4,700 |

** Max. GVW includes the front & rear axle loads based on the permissible tire load.

EX8 Cargo Extra Long Wheelbase

HYUNDAI MIGHTY

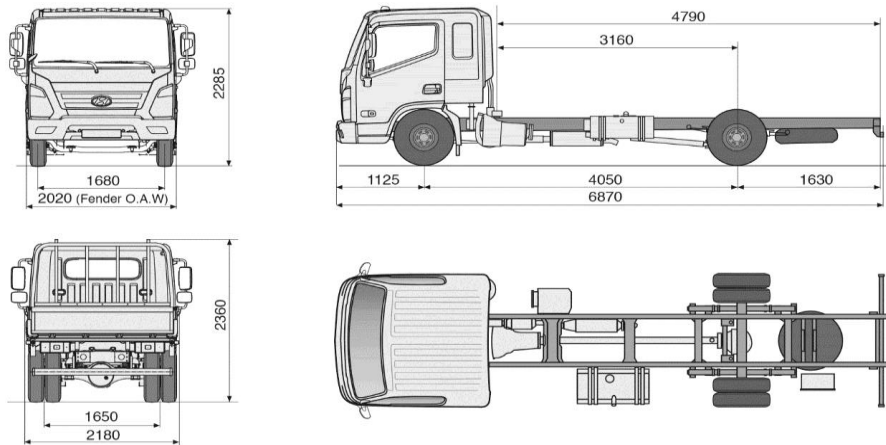


| | | |
|-----------------------------|---|---|
| | Width | Wide |
| Cab | Length | Standard |
| | Height | High |
| Wheel Base | | Extra Long |
| Drive System | | 4 x 2 |
| Application Engines | D4DC / D4DB14 / D4DB13 / D4DD / D4GA15 / D4GA14A / D4GA17 / D4GB17 | |
| Dimensions (mm) | | |
| Wheel Base | | 4,200 |
| | Length | 7,370 |
| Overall (Chassis Cab) | Width | 2,028 (Door handle) |
| | Height | 7.50R16 : 2,310, 207/75R17.5 : 2,285, 215/75R17.5 : 2,295 |
| Wheel Tread | Front | 215/75R Tire : 1,675, 205/75R Tire : 1,680 (D4DC/D4DB), 1,695 (D4DD/D4GA) |
| | Rear | 1,650 |
| Overhang (Chassis Cab) | Front | 1,125 |
| | Rear | 2,045 |
| C.A (Cab to rear Axle) | | 3,610 |
| C.E (Cab to End of frame) | | 5,590 |
| Min. Ground Clearance | | 220 |
| Min. Turning Radius | m | 8.2 |
| Weight (kg) | | |
| Chassis Cab Weight | | 2,685 / 2,825 / 2,955 |
| D4DX / D4GA / D4GB | Front | 1,770 / 1,895 / 1,975 |
| | Rear | 915 / 930 / 980 |
| ** Max Gross Vehicle Weight | | 7,800 |
| | Front | 3,100 |
| | Rear | 4,700 |

** Max. GVW includes the front & rear axle loads based on the permissible tire load.

EX8 Cargo Super Cab Long Wheelbase

HYUNDAI MIGHTY



| | Width | Wide |
|--------------------------------|---|--|
| Cab | Length | Super |
| | Height | High |
| Wheel Base | | Long |
| Drive System | | 4 x 2 |
| Application Engines | D4DC / D4DB14 / D4DB13 / D4DD / D4GA15 / D4GA17 / D4GB17 | |
| Dimensions (mm) | | |
| Wheel Base | | 4,050 |
| | Length | 6,870 / 7,020 |
| Overall (Chassis Cab / Cargo) | Width | 2,028 (Door handle) / 2,180 |
| | Height | 2,310(7.50R16), 2,285(205/75R17.5), 2,295(215/75R17.5) / 2,385 (7.50R), 2,360 (205/75R), 2,370 (215/75R) |
| Wheel Tread | Front | 215/75R Tire : 1,675, 205/75R Tire : 1,680 (D4DC/D4DB), 1,695 (D4DD/D4GA) |
| | Rear | 1,650 |
| Overhang (Chassis Cab / Cargo) | Front | 1,125 / 1,125 |
| | Rear | 1,695 / 1,845 |
| | Length | 4,850 |
| Deck Size | Width | 2,060 |
| | Height | 380 |
| | Floor Height | 1,120 |
| C.A (Cab to rear Axle) | | 3,160 |
| C.E (Cab to End of frame) | | 4,700 |
| Min. Ground Clearance | | 220 |
| Min. Turning Radius | m | 7.9 |

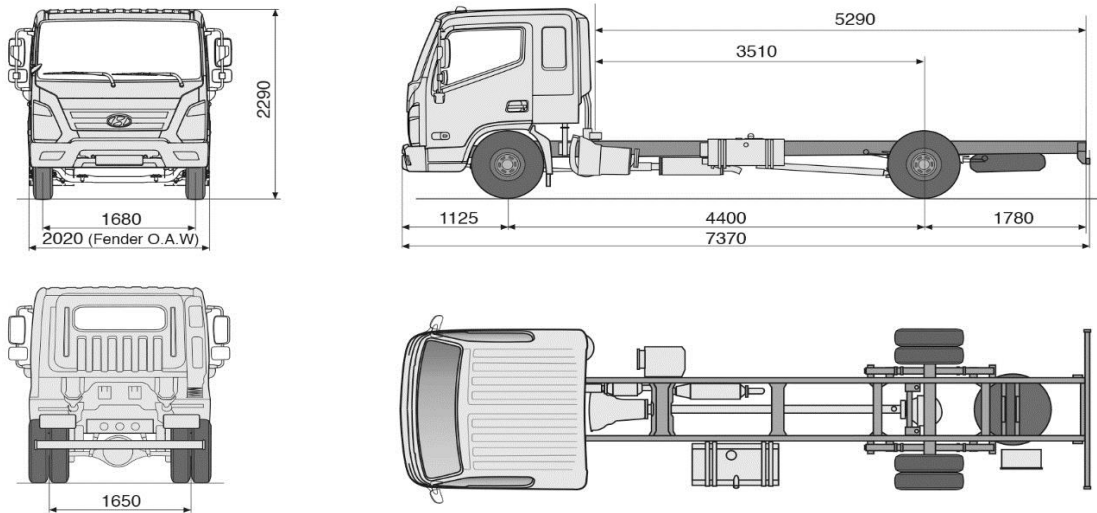
Weight (kg)

| | | |
|-----------------------------|--------------|-----------------------|
| Chassis Cab Weight | | 2,670 / 2,810 / 2,940 |
| D4DX / D4GA / D4GB | Front | 1,750 / 1,875 / 1,955 |
| | Rear | 920 / 935 / 985 |
| Cargo weight | | 3,270 / 3,410 / 3,540 |
| D4DX / D4GA / D4GB | Front | 1,830 / 1,955 / 2,035 |
| | Rear | 1,440 / 1,455 / 1,505 |
| ** Max Gross Vehicle Weight | | 7,800 |
| | Front / Rear | 3,100 / 4,700 |

** Max. GVW includes the front & rear axle loads based on the permissible tire load.

EX8 Cargo Super Cab Extra Long Wheelbase

HYUNDAI MIGHTY



| | | |
|---------------------|---|------------|
| | Width | Wide |
| Cab | Length | Super |
| | Height | High |
| Wheel Base | | Extra Long |
| Drive System | | 4 x 2 |
| Application Engines | D4DC / D4DB14 / D4DB13 / D4DD / D4GA15 / D4GA17 / D4GB17 | |

Dimensions (mm)

| | | |
|---------------------------|--------|---|
| Wheel Base | | 4,400 |
| Overall (Chassis Cab) | Length | 7,370 |
| | Width | 2,028 (Door handle) |
| | Height | 7.50R16 : 2,310, 207/75R17.5 : 285, 215/75R17.5 : 2,295 |
| Wheel Tread | Front | 215/75R Tire : 1,675, 205/75R Tire : 1,680 (D4DC/D4DB), 1,695 (D4DD/D4GA) |
| | Rear | 1,650 |
| Overhang (Chassis Cab) | Front | 1,125 |
| | Rear | 1,845 |
| C.A (Cab to rear Axle) | | 3,510 |
| C.E (Cab to End of frame) | | 5,290 |
| Min. Ground Clearance | | 220 |
| Min. Turning Radius | m | 8.6 |

Weight (kg)

| | | |
|-----------------------------|-------|-----------------------|
| Chassis Cab Weight | | 2,695 / 2,835 / 2,965 |
| D4DX / D4GA / D4GB | Front | 1,800 / 1,925 / 2,005 |
| | Rear | 895 / 910 / 960 |
| ** Max Gross Vehicle Weight | | 7,800 |
| | Front | 3,100 |
| | Rear | 4,700 |

** Max. GVW includes the front & rear axle loads based on the permissible tire load.

Chassis Specifications
Engine

| Model | D4DC | D4DB14 | D4DB13 | D4DD | D4GA15 | D4GA14A | D4GA17 (#D4GA16) | D4GB17 (#D4GB16) |
|---------------------------|--|---|--|------------------------|---|--------------------------|---------------------------|---------------------------|
| Type | Natural Aspiration | | Turbo Charger Intercooler | | | | | |
| Number of Cylinder | 4 stroke-cycle, water-cooled, direct-injection diesel engine | | | | | | | |
| Piston Displacement (cc) | 3,907 | | | | 3,933 | | | |
| Bore x Stroke (mm) | 104 x 115 | | | | 103 x 108 | | | |
| Compression Ratio | 18.1 : 1 | | 18 : 1 | | 17.5 : 1 | | 17.0 : 1 | |
| | Euro I | 120/3,200 | 155/2,900 | - | - | - | - | - |
| | Euro II | - | - | 130/2,900 | - | - | - | - |
| | Euro III | - | - | - | 140/2,800 | - | - | - |
| | Euro IV | - | - | - | - | 150/2,500 | - | - |
| Max. Power** (ps/rpm) | Euro V | - | - | - | - | - | 170/2,500 (#160/2,500) | - |
| | Euro VI | - | - | - | - | - | - | 170/2,500 (#160/2,500) |
| | Euro I | 26/2,000 | 38/1,800 | - | - | - | - | - |
| | Euro II | - | - | 38/1,800 | - | - | - | - |
| | Euro III | - | - | - | 38/1,600 | - | - | - |
| | Euro IV | - | - | - | - | 59/1,400 | - | - |
| Max. Torque ** (kg.m/rpm) | Euro V | - | - | - | - | - | 62/1,400 (#60/1,400) | - |
| | Euro VI | - | - | - | - | - | - | 62/1,400 (#60/1,400) |
| Cooling System | General | Water cooling type with thermostat, forced circulations by centrifugal pump | | | | | | |
| | Cooling fan | Suction type with mechanical fan clutch | | | | | | |
| | Radiator | Corrugated fin and tube type with pressure cap and condenser tank | | | | | | |
| | Battery | MF 90AH | | | | | | |
| Electrical System | Alternator | 24V-40A (OPT:70A) | | 24V-50A (OPT : 70A) | 24V-55A (OPT:70A) | 24V-55A | 55A(K4), 90A(K5) | 24V-55A (OPT:70A) |
| | Starter | 24V-5.0kW | | | | | | |
| Fuel System | Injection pump | Doowon Inline type | Doowon Inline type (or Denso Inline type) | | | Denso Common rail system | | |
| | Governor | Mechanical type | | | Electrical type (ECU Control) | | | |
| | Fuel filter | Spin-on type | | | | Spin-on type, 2 filter | | |
| Oil System | Lubrication | Forced lubrication by gear pump | | | | | | |
| | Oil filter | Filter with paper element | | | | | | |
| | Oil cooler | Shell-and-plate type | | | | | | |
| | Oil grade | API classification service CF-4 or above | | | | CI-4 or above | | CJ-4 or above |
| Air cleaner | Cyclonic dry paper element | | | | | | | |
| Valve System | Overhead Valve, Two valves per cylinder | | | | Single Overhead Cam, Four valves per cylinder | | | |

** Max. Power and Torque of engine may vary according to each country. # : Tropical Zone only

Clutch

| | | | | | | | | |
|---|---|--|-----------|--|-------------|--|-------------|--|
| Type | Hydraulic control, Diaphragm spring, Single dry plate, Pre-Damper | | | | | | | |
| Facing Material | Non-Asbestos | | | | | | | |
| Facing Size (mm) : Outside dia x Inside dia | ø300 x ø190 | | ø362xø236 | | ø300 x ø190 | | ø362 x ø236 | |

HYUNDAI MIGHTY_EX8 Cargo

Transmission

| | D4DC | D4DB14 | D4DB13 | D4DD | D4GA15 | D4GA14A | D4GA17 (#D4GA16) | D4GB17 (#D4GB16) |
|---------------------------------|---|-----------------------------|--------|--------------|------------------------|--|---------------------|---------------------|
| Model | M2S5 | | M035S5 | | T060S5 (OPT:T060S6) | M035S5 | T060S5 (OPT:T060S6) | |
| Type | | Floor Shift, 5 Speed Manual | | | ← (OPT : 6Seed) | 5 Speed | ← (OPT : 6 Seed) | |
| Gear Ratio | 1st | 5.494 | | 5.380 | 5.810(6.701) | 5.380 | 5.810(6.701) | |
| | 2nd | 2.836 | | 3.028 | 3.281(3.712) | 3.028 | 3.281(3.712) | |
| | 3rd | 1.592 | | 1.700 | 1.787(2.084) | 1.700 | 1.787(2.084) | |
| | 4th | 1 | | 1.000 | 1.000(1.351) | 1.000 | 1.000(1.351) | |
| | 5th | 0.746 | | 0.722 | 0.705(1.000) | 0.722 | 0.705(1.000) | |
| | 6th | - | | - | -(0.732) | - | -(0.732) | |
| Reverse | 5.494 | | 5.380 | 5.294(5.983) | 5.380 | 5.294(5.983) | | |
| Gear Oil | SAE80W90 (Temperate & Frigid zone), SAE90 (Tropical zone) | | | | SAE 75W/85 | SAE80W90 (Temperate & Frigid zone), SAE90 (Tropical zone) | | SAE 75W/85 |
| TG.S. (Transmission Gear Shift) | Floor shift, Mechanical remote control | | | | | | | |

Rear Axle

| | | | | | | | | | |
|----------------------|--------------------|-------------------------------|--|-------|--|-------|-------|-------|------------------------|
| Type | Full floating type | | | | | | | | |
| Capacity | kg | 5,100 (OPT : 6,600) | | | | | | | |
| | Type | Single Reduction, Hypoid gear | | | | | | | |
| Final Reduction Gear | G/Ratio | 6.666 | | 5.428 | | 3.727 | 5.428 | 3.727 | 3.417 (OPT : 3.727) |

Front Axle

| | | | | | | | | |
|----------|--------------------------------|-------|--|--|--|--|--|--|
| Type | Reverse Elliot type " 1 " beam | | | | | | | |
| Capacity | kg | 3,100 | | | | | | |

Tire & Wheel

| | | | | | | | | |
|-------|-------------------------|---|--|--|---------------------------------------|--|--|--|
| Type | Single Front, Dual Rear | | | | | | | |
| Tire | Front / Rear | 7.50R16-12PR (OPT : 7.50R16-14PR, 205/75R17.5-10PR, 215/75R17.5-12PR) | | | 205/75R17.5 - 10PR | | 7.50R16- 12PR (OPT : 7.50R16- 14PR, 205/75R17.5 -10PR, 215/75R17.5 -12PR) 16 x 6.00 | |
| Wheel | Front / Rear | 16 x 6.00 (OPT : 16 x 6.00, 17.5 x 5.25, 17.5 x 6.00) | | | 17.5 x 5.25 (OPT : 17.5 x 6.00) | | 17.5 x 5.25 (OPT : 17.5 x 6.00) | |

Steering

| | | | | | | | | |
|------------------|---|-------------|--|--|--|--|--|--|
| Type | 4-spoke, Ball-nut type, Tilt&Telescopic steering column | | | | | | | |
| Tilting Angle | -3.7 ° ~ 5.8 ° | | | | | | | |
| Overall Steering | Manual | - | | | | | | |
| Turning Angle | Inner / Outer | 44.5° / 32° | | | | | | |

| Service Brake | | | | | | | | | |
|---|--------------|--|---|--------|-------|--------|---------|--|---------------------|
| Engine | | D4DC | D4DB14 | D4DB13 | D4DD | D4GA15 | D4GA14A | D4GA17 (#D4GA16) | D4GB17 (#D4GB16) |
| Actuation | | | | | | | | Hydraulic with vacuum servo assistance, dual circuit | |
| Size (mm) | Front / Rea | | | | | | | ø330 x 120 x 15 (OPT : Disc 107cm ² x 21.5mm) | |
| Total lining area | | | | | | | | 3,046cm ² (OPT : Disc 856cm ²) | |
| Adjuster | | | Depending on national Sales Condition | | | | | Installed | |
| Parking Brake | | | | | | | | | |
| Actuation | | | Internal expanding type on propellarshaft at the rear of transmission assy | | | | | | |
| Size (mm) Drum diameter x Lining width x Lining thickness | | | ø180 x 35 x 5 (M*S5 T/M), ø190 x 45 x 4 (M035S5 T/M), ø230 x 55 x 4 (T60S* T/M) * cf : Drum diameter x Lining width x Lining thickness | | | | | | |
| Total lining area | | | 132cm ² (M*S5 T/M), 187cm ² (M035S5 T/M), 276cm ² (T60S* T/M) | | | | | | |
| Exhaust Brake | | | | | | | | | |
| Type | | Vacuum operated, butterfly valve type | | | | | | | |
| Suspension | | | | | | | | | |
| Type | Front / Rear | Multi / Multi | | | | | | | |
| Shock absorber | | Air double acting telescopic type on the FRONT/REAR axle | | | | | | | |
| Exhaust system | | | | | | | | | |
| General | | Conventional (horizontal) type muffler | | | | | | | |
| Tail pipe | | Droptail type, blowing to chassis rearward | | | | | | | |
| Fuel tank | | | | | | | | | |
| Capacity | | | | | 100 ℓ | | | 1001 ℓ (OPT : 75 ℓ , 150 ℓ) | |
| Material | | Steel | | | | | | | |
| Frame | | | | | | | | | |
| Type | | "H" type frame with channel sectional side rail & cross members, side rail is reinforced with outer stiffeners | | | | | | | |
| Main section side rail dimension (mm) | | Depth x Flange x Thickness : 216 x 70 x 6t | | | | | | | |

Annotations

- 1) Empty vehicle weight and curb weight shown are to 3.5% variation to allow for production tolerance.
- 2) Empty vehicle weight and curb weight include weight of oil, fuel, coolant and spare tire carrier & bracket, spare tire but exclude standard tool set
- 3) The vehicle specifications may differ per country.
- 4) Hyundai motor company reserves the right to alter the specifications, equipment or options or discontinue the models at any time without prior notice.