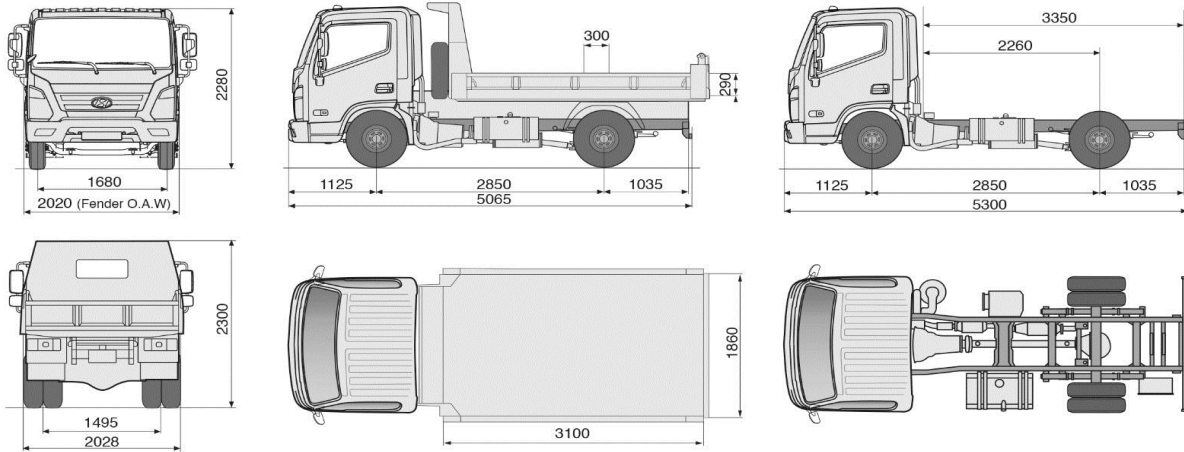


EX6 Dump Short Wheelbase

HYUNDAI MIGHTY



	Width	Wide
Cab	Length	Standard
	Height	High
Wheel Base		Short
Drive System		4 X 2
Application Engines		D4DC / D4DB-d / D4DB13 / D4DD / D4GA14A
Dimensions (mm)		
Wheel Base		2,850
	Length	5,065 / 5,270
Overall (Chassis Cab / Dump)	Width	2,028 (Door handle) / 2,028 (DUMP:2000)
	Height	2,275 / 2,300
Wheel Tread	Front	D4DC, D4DB:1680, D4DD, D4GA:1695
	Rear	1,495
Overhang	Front	1,125 / 1,125
(Chassis Cab / Dump)	Rear	1,090 / 1,295
Deck Size	Length	3,100
	Width	1,860
	Height	290
	Floor Height	1,085
C.A (Cab to rear Axle)		2,260
C.E (Cab to End of frame)		3,350
Min. Ground Clearance		185
Min. Turning Radius	m	5.3
Weight (kg)		
Dump weight		3,480
	Front	1,870
	Rear	1,610
** Max Gross Vehicle Weight		6,500
	Front / Rear	2,400 / 4,100

** Max. GVW includes the front & rear axle loads based on the permissible tire load.

Chassis Specifications

Engine

Model	D4DC	D4DB-d	D4D13	D4DD	D4GA14A	
Type	Natural Aspiration	Turbo Charger Intercooler 4 stroke-cycle, water-cooled, direct-injection diesel engine				
Number of Cylinder	4 in-line					
Piston Displacement (cc)		3,907			3,933	
Bore x Stroke (mm)		ø104 x 115			ø103 x 118	
Compression Ratio	18.1 : 1	18.0 : 1		17.5 : 1	17.0 : 1	
Max. Power** (ps/rpm)	EuroI	120/3,200	-	-	-	
	EuroII	-	120/2,900	130/2,900	-	
	EuroIII	-	-	-	140/2,800	
	Euro IV	-	-	-	-	
	Euro V	-	-	-	-	140/2,800
	Euro VI	-	-	-	-	-
Max. Torque ** (kg.m/rpm)	EuroI	26/2,000	-	-	-	
	EuroII	-	30/2,000	38/1,800	-	
	EuroIII	-	-	-	38/1,600	
	Euro IV	-	-	-	-	
	Euro V	-	-	-	-	40/1,400
	Euro VI	-	-	-	-	-
Cooling System	General	Water cooling type with thermostat, forced circulations by centrifugal pump				
	Cooling fan	Suction type with mechanical fan clutch				
	Radiator	Corrugated fin and tube type with pressure cap and condenser tank				
Electrical System	Battery	MF 90AH				
	Alternator	24V-40A (OPT:70A)		24V-50A(OPT : 70A)	24V-90A	
	Starter	24V-5.0kW				
Fuel System	Injection pump	Doowon Inline type	Doowon Inline type (or Denso Inline type)		Denso Common rail system	
	Governor	Mechanical type			Electrical type (ECU Control)	
	Fuel filter	Spin-on type			Spin-on type, 2 Filter	
Oil System	Lubrication	Forced lubrication by gear pump				
	Oil Filter	Full flow filter with paper element				
	Oil cooler	Shell-and-plate type				
Air cleaner	Oil grade	API classification service CF-4 or above			CI-4 or above	
		Cyclonic dry paper element				
Valve System	Overhead valve, Two valves per cylinder				Single Overhead Cam, Four valves per cylinder	

** Max. Power and Torque of engine may vary according to each country.

Clutch

Type	Hydraulic control, Diaphragm spring, Single dry plate, Pre-Damper
Facing Material	non-Asbestos
Facing Size (mm) : Outside dia x Inside dia	ø300 x 190

HYUNDAI MIGHTY_EX6 Dump

Transmission						
Engine		D4DC	D4DB-d	D4D13	D4DD	D4GA14A
Model		M2S5	M3S5		M03S5S	
Type				Floor Shift, 5 Speed Manual		
Gear Ratio	1st	5.494	5.181		5.380	
	2nd	2.836	2.865		3.028	
	3rd	1.592	1.593		1.700	
	4th	1	1.000		1.000	
	5th	0.746	0.739		0.722	
	5th	-	-		-	
	Reverse	5.494	5.181		5.380	
Gear Oil		SAE80W90 (Temperate & Frigid Zone), SAE90 (Tropical Zone)				
TG.S. (Transmission Gear Shift)		Floor shift, Mechanical remote control				
Rear Axle						
Type		Full floating type				
Capacity	kg	4,700				
	Type	Single Reduction, Hypoid gear				
Final Reduction Gear	G/Ratio	6.666	6.166 (OPT:6.666)	5.428		K4 : 5.000 K5 : 4.625
Front Axle						
Type		Reverse Elliot type "1" beam				
Capacity	kg	2,300				
Tire & Wheel						
Type		Single Front, Dual Rear				
Tire	Front / Rear	7.00R16-10PR (OPT : 205/75R17.5-10PR)			205/75R17.5-10PR (205/85R16-10PR)	
Wheel	Front / Rear	16 x 5.50F (OPT : 17.5 x 5.25)			17.5 x 5.25 (16 x 5.50)	
Steering						
Type		4-spoke, Ball-nut type, Tilt & Telescopic steering column				
Tilting Angle		-3.7 ° ~ 5.8 °				
Overall Steering	Manual	-				
Turning Angle	Inner	44.5 °				
	Outer	32 °				
Service Brake						
Actuation		Hydraulic with vacuum servo assistance, dual circuit				
Size (mm)	Front	Drum ø320 x 110 x 11 (OPT : Disc 107cm ² x 21,5 mm)				
	Rear	Drum ø320 x 110 x 11 (OPT : Disc 107cm ² x 21,5 mm)				
Total lining area		Drum 2,826cm ² (OPT : Disc 856cm ²)				
Adjuster		Depending on National Sales Condition			Installed	

HYUNDAI MIGHTY_EX6 Dump

Parking Brake					
Engine	D4DC	D4DB-d	D4D13	D4DD	D4GA14A
Actuation	Internal expanding type on propellarshaft at the rear of transmission assy				
Size (mm)	Drum diameter x Lining width x Lining thickness $\phi 180 \times 35 \times 5$ (M*S5 T/M), $\phi 190 \times 45 \times 4$ (M035S5 T/M)				
Total lining area	132cm ² (M*S5 T/M), 187cm ² (M035S5 T/M)				
Exhaust Brake					
Type	Vacuum operated, butterfly valve type				
Suspension					
Type	Front / Rear		Multi / Multi		
Shock absorber	Double Acting				
Exhaust system					
General	Conventional (horizontal) type muffler				
Tail pipe	Droptail type, blowing to chassis rearward				
Fuel tank					
Capacity	100 ℓ				
Material	Steel				
Frame					
Type	"H" type frame with channel sectional side rail & cross members				
Main section side rail dimension (mm)	Depth x Flange x Thickness : 183 x 60 x 6t				

Annotations

- 1) Empty vehicle weight and curb weight shown are to 3.5% variation to allow for production tolerance.
- 2) Empty vehicle weight and curb weight include weight of oil, fuel, coolant and spare tire carrier & bracket, spare tire but exclude standard tool set.
- 3) The vehicle specifications may differ per country.
- 4) Hyundai motor company reserves the right to alter the specifications, equipment or options or discontinue the models at any time without prior notice.