

## NEW THINKING. NEW POSSIBILITIES.

Today, our expectations of mobility go beyond the idea of basic transportation. Our vehicles can reflect our lifestyles and expand our horizons. Their performance and reliability can transform our lives - or our businesses - beyond our expectations. Hyundai, with world-class production facilities and stringent quality standards, is dedicated to bringing new and relevant solutions to existing and potential customers. We're on our way. We invite you to come with us.

Hyundai Motor Company

[www.hyundai.com](http://www.hyundai.com)

GEN. LHD 1409 ENG

Your Hyundai dealer



# H350\_VAN

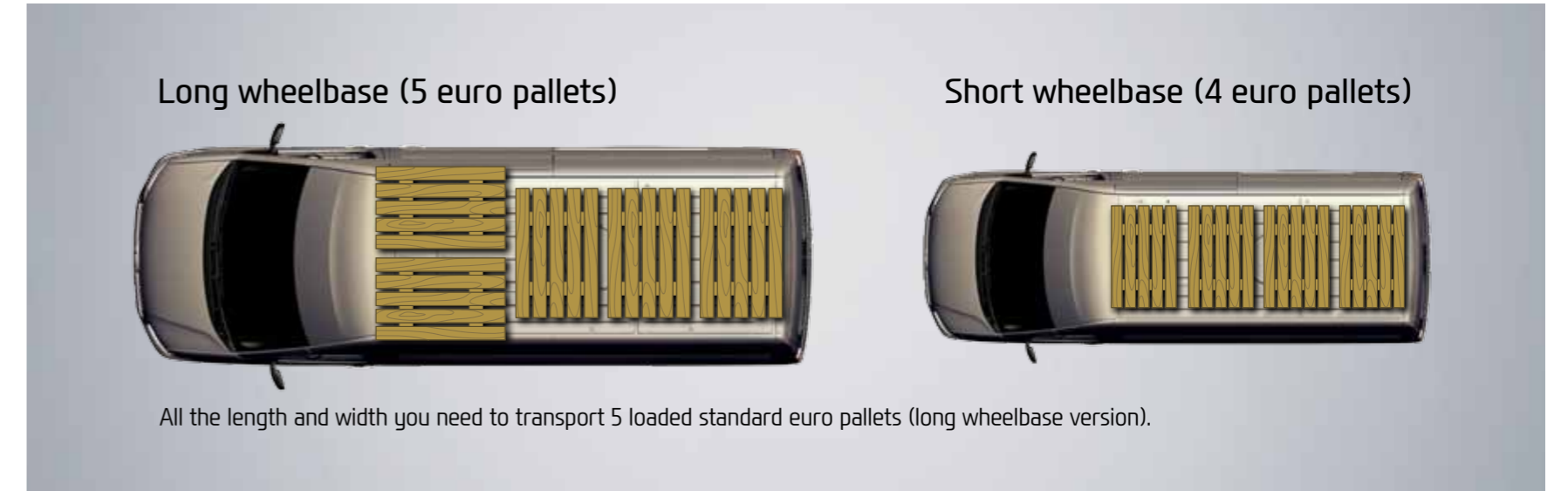
 NEW THINKING.  
**HYUNDAI** NEW POSSIBILITIES.

# H350\_VAN



# H350\_VAN

Built to take on the world



# H350\_VAN

More space means more revenue



Maximum loadspace

	Cargo volume	Cargo length
Long wheelbase	12.9m <sup>3</sup>	3,780mm
Short wheelbase	10.5m <sup>3</sup>	3,100mm



Wide-opening side sliding door





## A great place to work

A happy, comfortable driver is a safer, more productive driver. That's why we've designed the cab around the driver. Everything is exactly where it should be.



4.2" Multi-information display provides essential trip and driving status information



Remote controls on steering wheel, adjustable for height and reach



8" touch-screen controls audio, video and navigation functions. Below are air conditioning and seat-heating controls

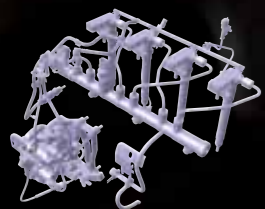


Driver's seat optimized for European driving conditions



Exceptionally roomy driver's cabin

# EURO 5 A2-2.5 CRDi DIESEL ENGINE



Next generation common rail injector



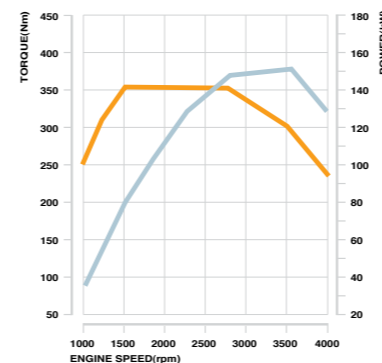
Electronically controlled turbocharger



Long-life chain-drive for camshafts

## Putting power to work: 170 PS and 421 Nm

Our purpose-built common rail diesel engines provide impressive power and torque, while also meeting stringent European emissions requirements. Together with perfectly matched transmissions, they have the flexibility to meet all customer needs, and are designed to function with faultless durability.



**150 eVGT**  
Standard-power 2.5 litre  
150 PS / 372 Nm

**170 eVGT**  
High-power 2.5 litre  
170 PS / 421 Nm



Perfectly located gear shifter



Idle Stop & Go (ISG) avoids unnecessary engine idling when stationary



Optimized 6-speed manual transmission



4-wheel disc brakes for consistent, balanced braking



**VDC (Vehicle Dynamic Control)**  
VDC maintains vehicle stability on the move. When the potential for over- or under-steer is detected, engine torque is limited and selective brake intervention is applied.

## All-embracing safety and protection

No matter how well you drive, accidents can happen. That's why the H350 is available with a wide range of safety technologies that can actually help avoid an accident or, if necessary, protect occupants if an accident becomes inevitable.



The strong, monocoque construction includes anti-corrosive steel plate



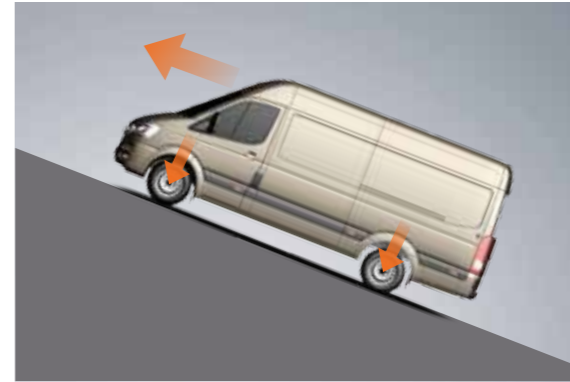
Under heavy emergency braking, the hazard warning lights are automatically activated



Side mirrors are electrically adjusted and heated



Driver's airbag and passenger airbag



Hill Start Assist (HSA) Control stops rollback on hill starts



Hydraulic Brake Assist provides extra assistance under heavy braking





## Convenience has a new champion: the H350

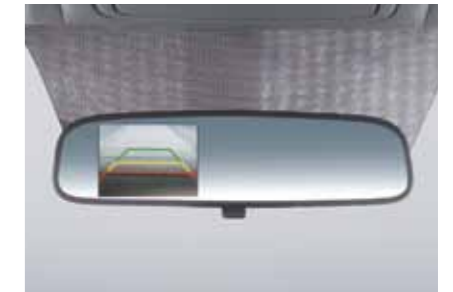
As our roads become even more congested, we all appreciate the increasing value of technologies that can make everyday driving easier. That's why we've equipped the H350 with systems that assist the driver in bad weather, on the highway, in city streets, or when parking in confined spaces.



Park Assist System (PAS) uses strategically positioned sensors, front and rear, to detect potential obstructions when parking



Rear camera feeds visual information to the in-cab display



Cab mirror with LCD screen for rear camera



Rain sensors activate windscreen wipers when necessary



Cruise control for effortless highway driving



Integrated audio systems with CD & MP3 player, Bluetooth, USB and iPod ports



Easy-access fuel filler panel



Clear, uncomplicated controls for heating and air conditioning



Passenger door window remote control



LED side repeater turn signals located in door mirrors



High-performance projector headlamps

**LDWS (Lane Departure Warning System)**  
Lane Departure Warning System (LDWS) provides instant visual and audible warning of unintentional departure from the lane you're driving in.

# Roominess redefined, with various places

Everything looks right, feels good and works perfectly. And there's all the legroom, headroom and elbowroom that you could need. Plus an amazing 23 different places for everything needed on any journey.



Sun visors, with integrated ticket holders, fit neatly into the roof shelf



Control panel for door windows and door mirrors



Keyless Entry



Convenient roof shelf



Large compartment under front passenger seat



Centre passenger seat-back box



Storage tray with 12V power outlet. Located centrally on the upper dashboard



Pull out cup holder drawer



Glove box for front seat passenger



Deep door pockets



Easy-access emergency triangle and medical kit

## VAN Specifications & Dimensions

Item		H350 VAN (SWB)	H350 VAN (LWB)
Gross Vehicle Weight	(kg)	3,500	←
Overall Length	(mm)	5,515	6,195
Overall width with mirrors	(mm)	2,436	←
Overall width without mirrors	(mm)	2,038	←
Overall height	(mm)	2,685	2,690
Wheelbase	(mm)	3,435	3,670
Wheel Tread (Front)	(mm)	1,712	←
Wheel Tread (Rear)	(mm)	1,718	←
Side door entry width	(mm)	1,279	←
Side load door entry height	(mm)	1,937	←
Rear door/tailgate entry width	(mm)	1,538	←
Rear door/tailgate entry height	(mm)	1,810	←
Maximum loadspace length (EEC Standards)	(mm)	3,100	3,780
Maximum loadspace width	(mm)	1,795	←
Loadspace between wheel arches	(mm)	1,365	←
Load floor to roof	(mm)	1,955	←
Loading height	(mm)	695	700
Load volume	(m <sup>3</sup> )	10.5	12.8
Turning circle - kerb to kerb	(m)	11.8	12.6
Fuel tank capacity	(ℓ)	75	←

※Some of the equipment illustrated or described in this catalogue may not be supplied as standard equipment and may be available at extra cost.  
 ※Colors of the product illustrated and described in this catalogue may differ from the actual product.  
 ※Hyundai Motor Co. reserves the right to change specifications and equipment without prior notice.



1,712  
2,038



990  
3,435 / 3,670  
5,515 / 6,195



2,685 / 2,690  
695 / 700